

GAS-AF-25D Pivot Hinge for Aluminium Frame

Features

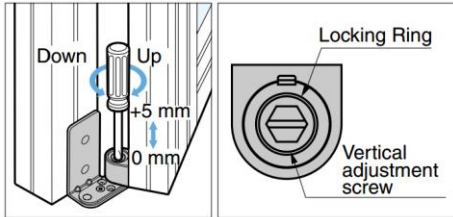
- Compact and space-saving
- Horizontally and vertically adjustable after door installation
- Robust structure thanks to 3mm thick stainless steel bracket
- Door fall-preventing function provides safety
- Use **GAS** nuts for installation, contact [Gripwell](http://www.gripwell.com) sales for assistance
- Sold in pairs

Notes

- When installing, ensure that upper and lower hinge shafts are aligned

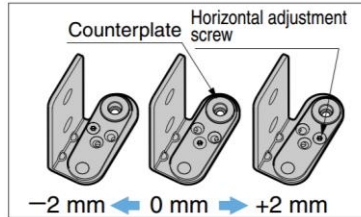


Vertical Adjustment



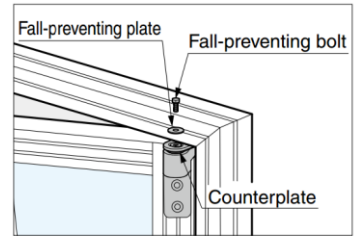
1. Remove the plastic cap from the hinge body.
2. Loosen the lock ring with a hex key.
3. Turn the vertical adjustment screw with a slotted screwdriver to adjust to an arbitrary position. (Adjustment range +5mm)
4. After that, tighten the lock ring to complete.

Horizontal Adjustment

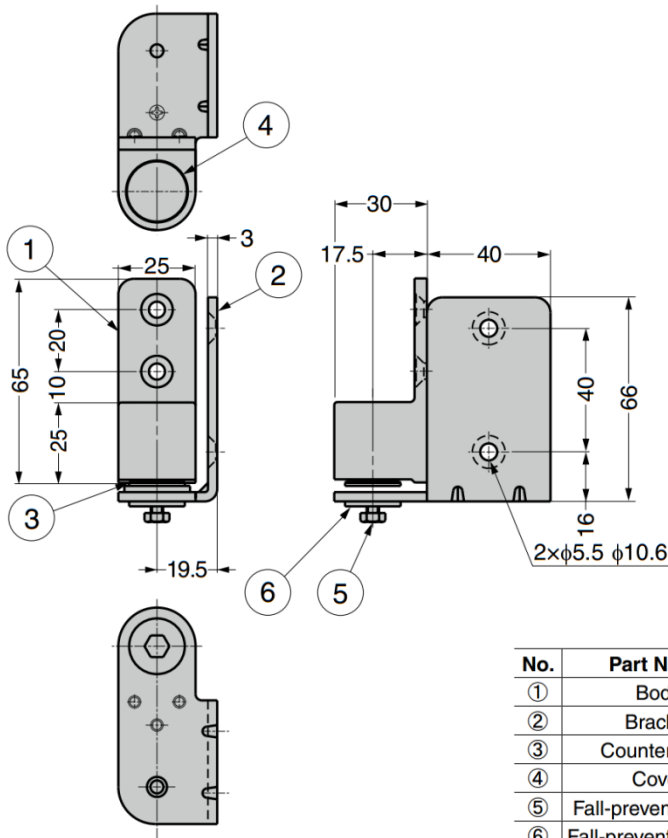


1. Remove the horizontal adjustment screw from the counterplate.
2. Choose one from the three holes (adjustment position -2mm, 0mm, 2mm) of the counterplate and secure with the horizontal adjustment screw.

Fall Preventing



- After door installation and vertical adjustment, mount the fall-preventing plate and fall-preventing bolt to the top of the upper hinge.
- The fall-preventing bolt prevents the door from accidental falling off.



Installation



1. Insert the body of the lower hinge into the counterplate.
2. Install the door while pressing the pivot on the bottom of the body of the upper hinge.
3. Shake the door gently to make sure that it will not come off.

No.	Part Name	Material	Finish / Colour
①	Body	Zinc Alloy (ZDC)	Soft Chrome
②	Bracket	Stainless Steel (SUS304)	Barrel Polished
③	Counterplate	POM	White
④	Cover	ABS	Grey
⑤	Fall-preventing Bolt	Stainless Steel (SUS303)	-
⑥	Fall-preventing Plate	Stainless Steel (SUS304)	-

Part No.	Door Width	Door Height	Door Thickness	Door Weight
GAS-AF-25D	Max. 900	Max. 2200	33 ~ 42	Max. 35 kg